

High Quality

solar thermal panels
for homes, pools
& commercial applications



Genersys

1000-10 Solar Collector

For a green future®



(Above) The Genersys 1000-10 H can be mounted horizontally

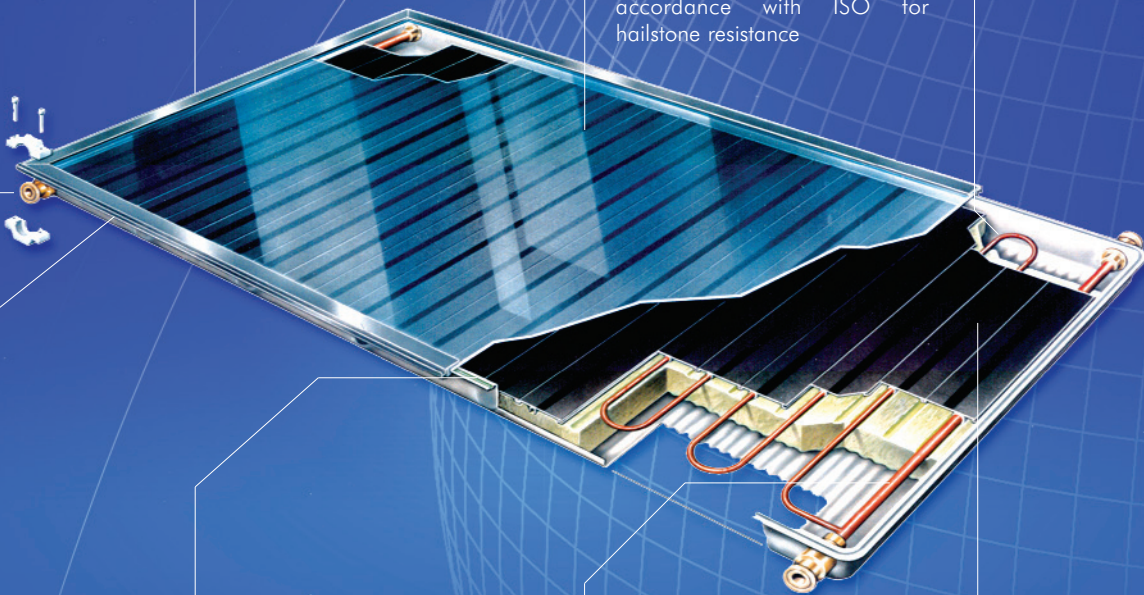
20 year panel warranty

Patented connection clamp for pressure sealed link up to adjacent collector and system piping without soldering or welding

Surrounding glass frame with integral groove to seal the collector to roof join

Low-reflection transparent, special solar glass, consisting of thermally pre-stressed, hardened white glass, tested in accordance with ISO for hailstone resistance

Meandering heat transfer pipe consisting of a single compression-proof copper pipe folded into the absorber plate



One piece construction (AlMg) of the trough and frame (no joined framing) combined with a compression, vacuum-proof design means longest lifespan of any collector worldwide

Surrounding sealing ring made of superior heat-resistant and age-resistant material

Integrated roof piping allowing erection of collector panels to accommodate Tichelmann piping system

Absorber section with plated, highly selective, special coating in thin layer technology for low loss light-heat conversion with quick transfer of heat to heat transfer pipe.



Sports stadia

Genersys 1000-10 Solar Collector

1 panel (2m²) average output 1200 kWh at constant 50 degrees C *

GENERSYS 1000-10 is a world leading flat-plate, vertically or horizontally (1000-10 H) mounted collector without collection pipes, intended for applications in systems equipped with circulating pumps. It consists of a one-piece forged metal casing to which safety solar glass is fixed by means of a frame made from non-corrosive aluminium profile.

Stamped Al-Mg sheet absorber fins with high-selective conversion layer span the copper pipe meander. The flanged connection pipes are connected to the hydraulic circuit by patented connection clamps. The collectors can be connected in parallel, up to 10 panels per row.



Build Quality Our panels are built to last, 35+ year life expectancy.

Solar heating for swimming pools

Genersys thermal solar technology is the cost effective way to heat swimming pools, whether they are Olympic size or simply a small domestic pool. Instead of using expensive and inefficient fossil fuel to heat your pool use the natural light of the sun, a free source of energy, that Genersys converts into useful heat.

• Payback in as little as 18 months • 35+ Year Life Expectancy



Technical Specifications

Floor Space:	2.03 m ²
Absorbing Surface:	1.78 m ²
Linkage dimension:	1040 x 2040mm
Weight empty:	36.5kg
Fluid volume:	1.3 litres
Cover glass:	Safety solar glass 4mm thick.
Connection:	Patented connection clamp.
Casing:	Stamping from non-corrosive Al-Mg sheet.
Thermowell:	To accommodate Ø 4mm or Ø 6mm sensor.
Solar absorptivity: αM1.5	Min. 0.94
Thermal emissivity: ε82°C	Max. 0.16
Optical efficiency:	80%
Operating temperature:	Below 200°C

No-load temperature at radiation 1000 W/m² and ambient temperature of 30°C: 170°C

Max. working over-pressure of heat transfer fluid: 600 kPa

Recommended flow of heat transfer fluid: 60 L/h/m² collector

The Genersys 1000-10 panel is not intended to be used in drain-back systems.



Sub zero performance
Our panels work even in extreme temperatures.

High Quality Panel

The casing

- stamping from non-corrosive Al-Mg sheet
- sea-water resistant

The absorber

- made of corrosion-resistant aluminium
- corrosion-proof and pressure-proof copper piping for fluids

The glass covering

- safety glass for security against breakage, tested for hailstone-resistance
- maximum light-transmitting properties in excess of 93% due to high degree of transparency

Modular construction in line with architectural requirements

- attractive appearance due to integrated collection piping
- straightforward collector erection even for attic conversions

Energy and environmental protection

- The flat plate collector produces heat without polluting the environment and with only minimal energy consumption. It saves the energy required for its manufacture in approximately 2 years.

Genersys are proud to be associated with the following:



For more information please visit: www.genersys.com

Certified and independently tested to comply with BS EN 12975 Parts 1 & 2 and comply with all applicable official standards in the USA and Canada.

(Below) Innovative solutions: wall integrated 1000-10 Genersys solar panels



Genersys 1000-10:

The Genersys 1000-10 solar panel is a vertically mounted glazed collector without collection pipes, intended for applications in systems equipped with circulating pumps.

The panels have an integrated connection system enabling pressure sealed linkage with adjacent panels. The Genersys 1000-10 panel is constructed with a single meander system piping without using soldering or welding and is folded into the absorber plate; a single piece tray is folded into the frame holding the glazing.

Maintenance:

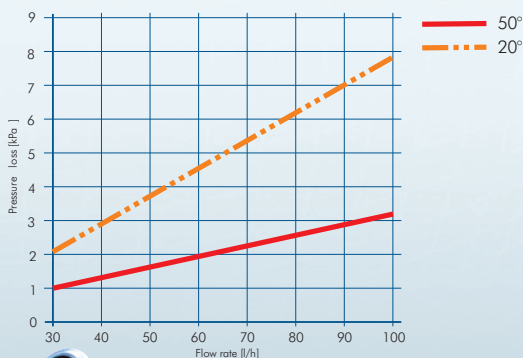
Genersys 1000-10 panels do not require any

maintenance. The panels have been designed to withstand high temperatures; the glass does not require cleaning. There are no user serviceable parts inside and due to the heat exchange process the panel does not contact potable water or water to be heated.

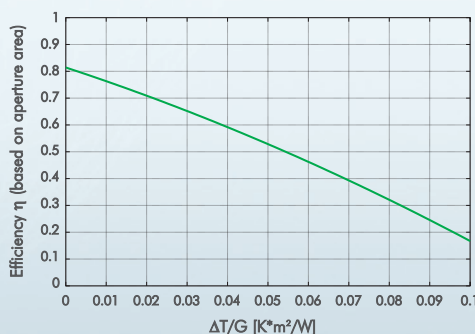
Further reading:

To access a searchable Knowledge Base and a library of downloads including this datasheet, installation manuals and much more please visit our homepage for solar professionals and installers: www.genersys.com

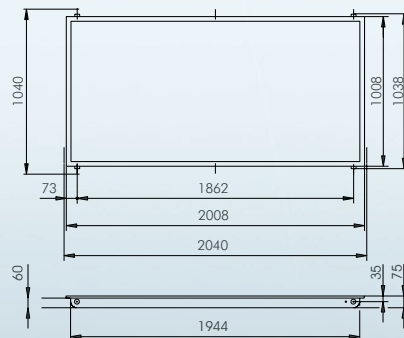
Pressure Loss of 1000-10 Panel with Anti-Freeze Liquid



Efficiency curve for the determined coefficients and for an assumed irradiation of 800 W/m² based on aperture area



Dimensions (mm)



www.genersys.com

Genersys Plc, 37 Queen Anne Street, London, W1G 9JB
Tel. +44 (0)20 7637 9708 Fax. +44 (0)20 7637 0901 Email: enquiries@genersys.com